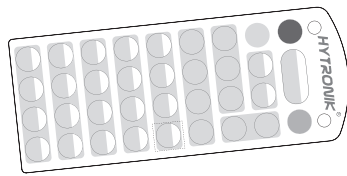
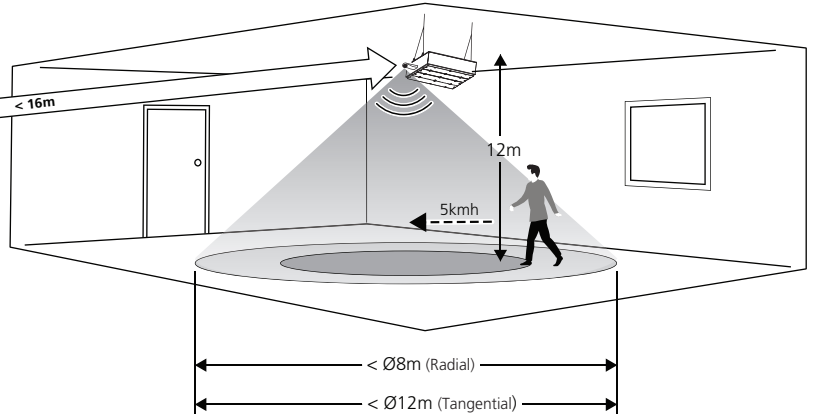


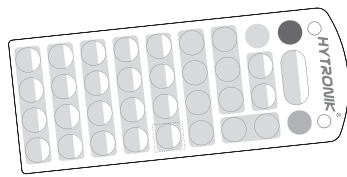
1a



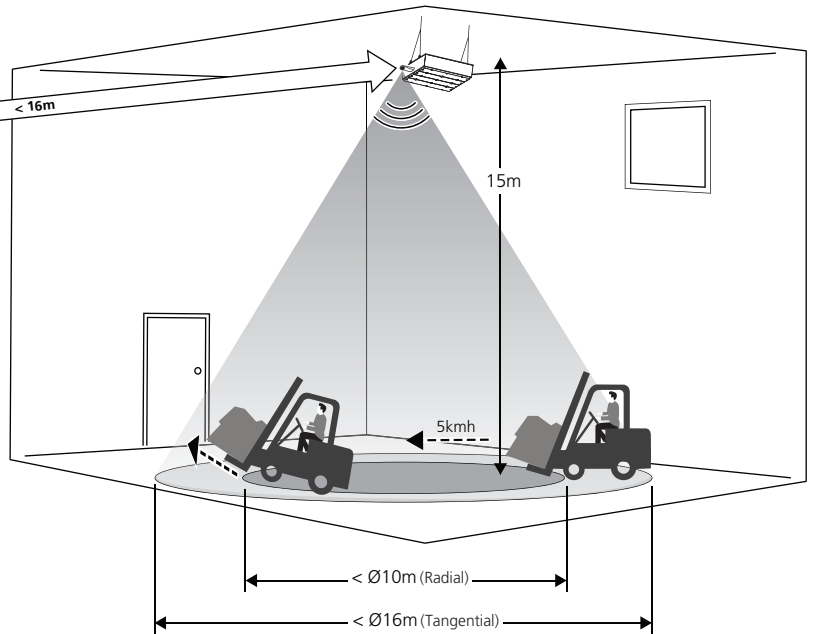
9048888 - SYLBAY Remote Control HRC-11



1b



9048888 - SYLBAY Remote Control HRC-11





ON/OFF Permanent ON/OFF function

Press button "ON/OFF" to select permanent ON or permanent OFF mode.

* Press button "AUTO", "RESET" to quit this mode.

The mode will change to AUTO Mode after power failure.

RESET Reset Settings

Press button "RESET", all settings go back to factory default settings.

Hold-time: 5min; Stand-by period: 10min; Stand-by dimming level: 20%; Constant lux: 100lux

Shift Shift Button

Press button "Shift", the LED on the top left corner is on to indicate mode selection.

All values / settings in RED are valid for 20 seconds.

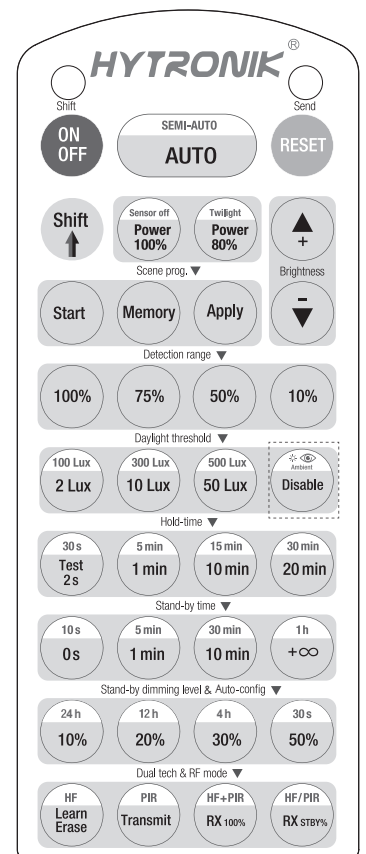
SEMI-AUTO AUTO mode

Press button "AUTO" to initiate automatic mode. The sensor starts working and all settings remain as before the light is switched ON/OFF.

Note: the function of Semi-auto is disabled.

Start Memory Apply Scene program 1-key commissioning

1. Press button "Start" to program.
2. Select the buttons in "Daylight threshold", "Hold-time", "Stand-by time", "Stand-by dimming level" to set all parameters.
3. Press button "Memory" to save all the settings programmed in the remote control.
4. Press button "Apply" to set the settings to each sensor unit(s).



HRC-11

Load Indication:

The light will flash ONCE rapidly after receiving the command from the remote control successfully.